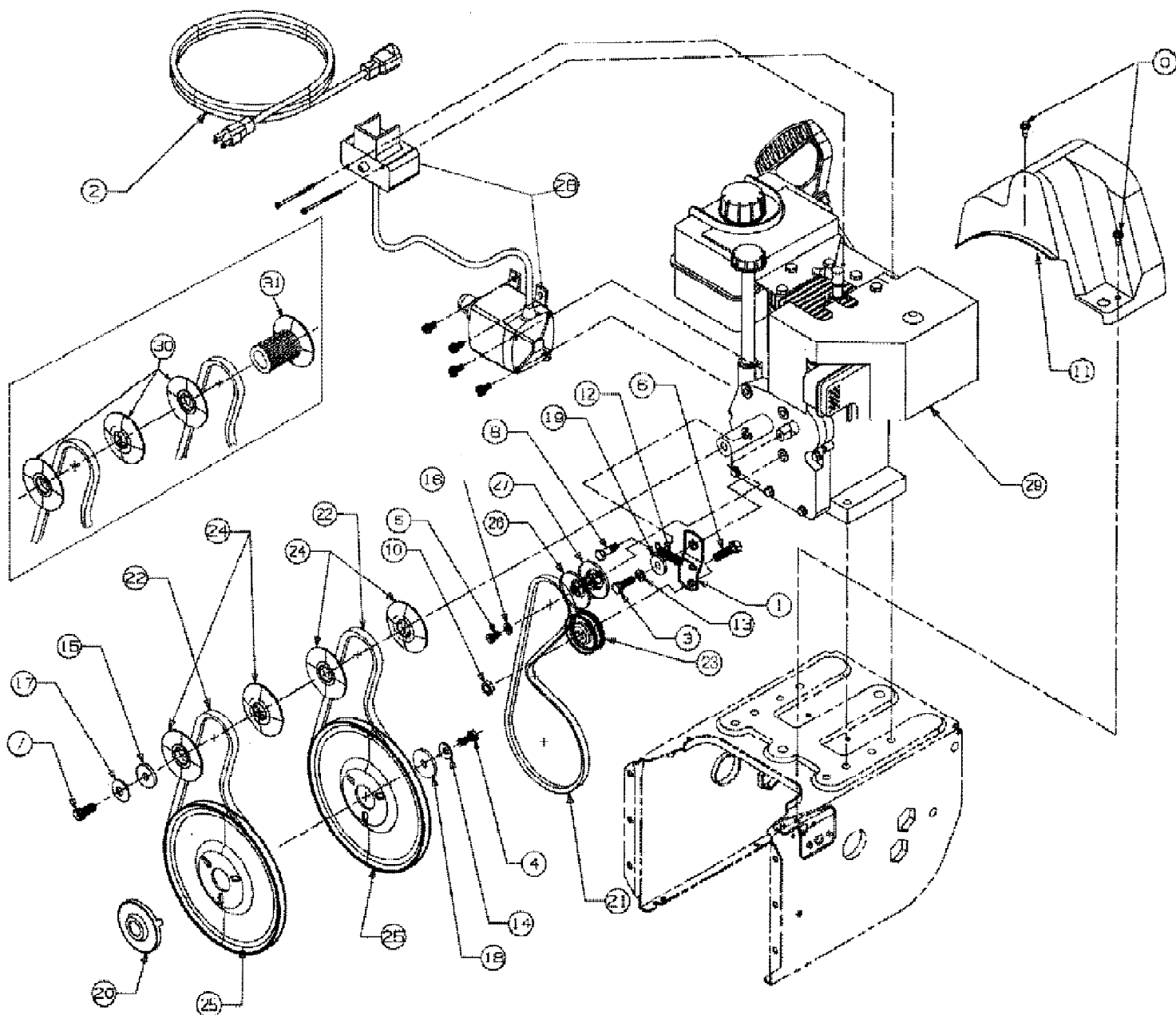


31AE653F190 Snow Boss 950 (1998)
Bearing & Frame Assembly

Page 2 of 13

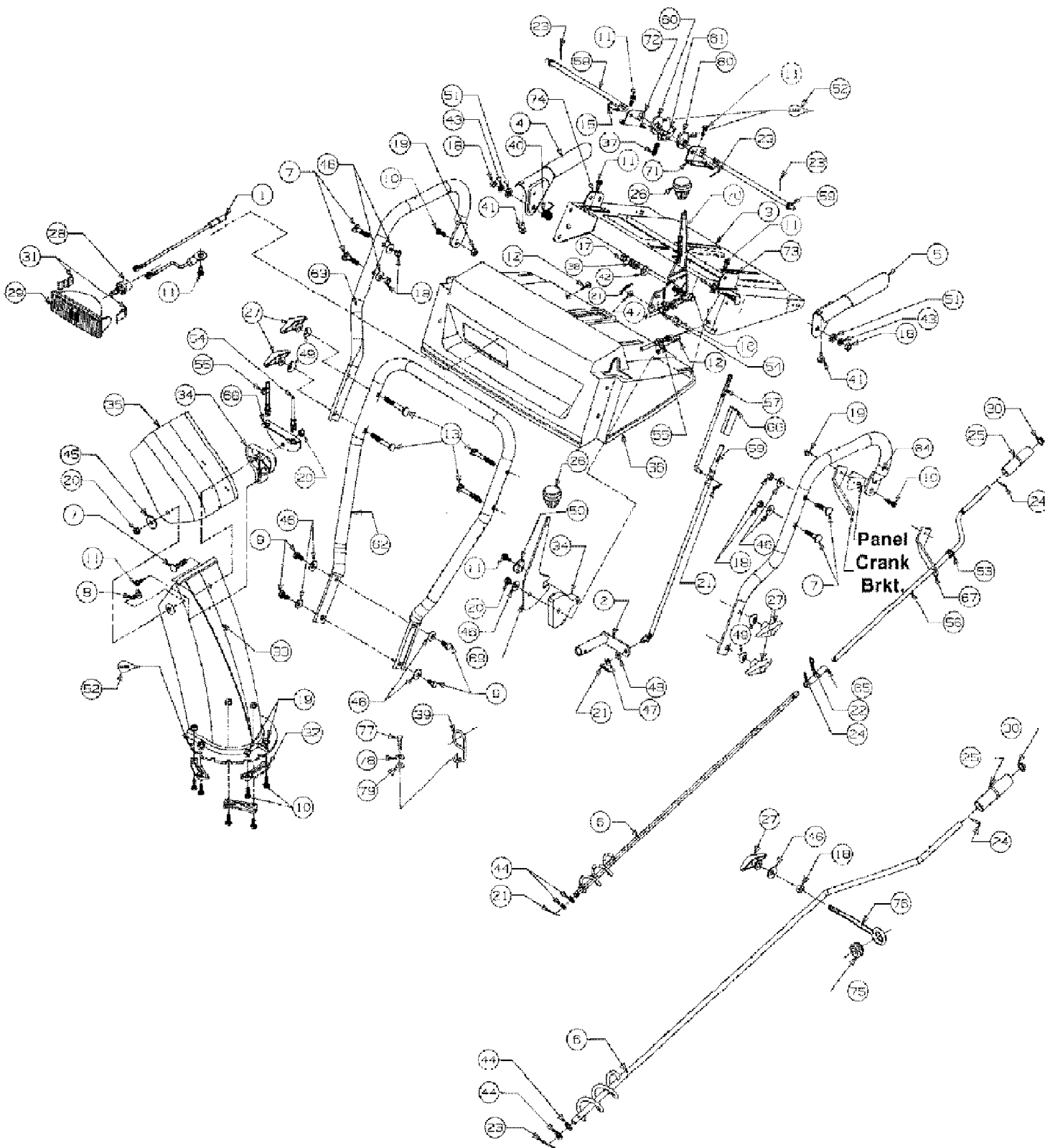
Ref #	Part Number	Qty	S/P/F	Description
1	618-0063	1		Bearing Ass'y.
2	656-0012A	1	S	Ass'y., Friction Wheel Disc
3	684-0013	1		Rod Shift, Wheel Drive
4	684-0021	1	S	Brkt. Ass'y. Friction Wheel
5	684-0030	1		Frame Ass'y., 600 S/T
6	684-0042A	1	S	Wheel Friction
7	710-0654A	1	/P	Hex Self-Tap Screw
8		1		UNKNOWN
9	710-0599	1	/P	Scr., Hex Wash. Hd., TT 1/4-20 x .5"
10	710-0896	1	/P	Hex Self-Tap Scr.
11	710-0788	1	/P	Screw, Hex
13	712-0711	1	/P	Nut, Hex
14	714-0126	1	S	Key
15	714-0143	1	S	Pin, Klick
16	714-0474	1	S	Pin, Cotter
17	715-0249	1	S	Pin, Roll
19	717-1445	1		Gear
20	717-1444	1	S	Shaft, Hex
21	732-0264	1	S	Extension Spring
22	736-0105	1	/P	Washer, Bell
23	736-0160	1	S	Flat Washer
24	736-0188	1	/P	Washer, Flat
25	736-0242	1	/P	Washer, Bell
30		1		Lubricant
31	738-0869	1		Axle Used with 13" wheels
31	738-0830	1		Axle Used with 16" wheels
32	738-0924	1	S	Screw, Shoulder
33	741-0563	1	S	Bearing, Ball
34	741-0598	1	S	Flange Bearing
35	746-0897	1	S	Cable, Auger
36	746-0898	1	S	Cable, Clutch
37	748-0190	1	/P	Spacer
38	756-0625	1		Roller, Cable
39	784-5590	1		Frame, Shift Bracket
40	784-5638	1		Cover, Frame
41	784-5688	1	S	Bracket, Drive Cable Roller
42	784-5687	1	S	Brkt., Auger Clutch Cable Guide
43	784-5689	1	S	Brkt., Front Support Guide
44	710-0599	1	/P	Hex Wash Hd. TT-Tap Scr. 1/4-20 x .5" Lg.
45	784-5617	1		Friction Plate
46	718-0301A	1	S	Friction Wheel Hub
47	735-0243	1	S	Friction Wheel Rubber



31AE653F190 Snow Boss 950 (1998)
Engine And Pulleys

Page 4 of 13

Ref #	Part Number	Qty	S/P/F	Description
1	05896A	1		Bracket
2	629-0071	1	S	Cord, Extension
3	710-0117	1	S	Screw
4	710-0157	1	/P	Screw
5	710-0230	1	/P	Screw
6	710-0342	1	S	Screw
7	710-0696	1	/P	Screw
8	710-0888	1	/P	Screw
9	710-0896	1	/P	Screw
10	712-0181	1	S	Nut, Hex
11	731-1324	1		Belt Cover
12	732-0710	1	S	Spring
13	736-0119	1	S	Washer-Flat
14	736-0242	1	/P	Washer-Bell
15	736-0247	1	/P	Washer-Flat
16	736-0329	1	S	Washer-Lock
17	736-0331	1	/P	Washer-Bell
18	736-0505	1		Washer-Flat
19	748-0234	1	/P	Shoulder Spacer
20	748-0360	1	S	Pulley, Adapter
21	754-0346	1	S	V-Belt
22	754-0430	1	S	V-Belt Matched
23	756-0313	1	/P	Idler, Flat
24	756-0569	1		Pulley, Half
25	756-0967	1		Pulley-Auger
26	756-0986	1		Pulley Half
27	756-0987	1	S	Pulley Half
28	390-985	1		Starter (633)
	390-987	1		Starter
29		1		Engine
30	756-0620	1		Pulley, Half (633)
31	756-0621	1	S	Pulley, Half (633)



31AE653F190 Snow Boss 950 (1998)
Panel Assembly w/Tilt

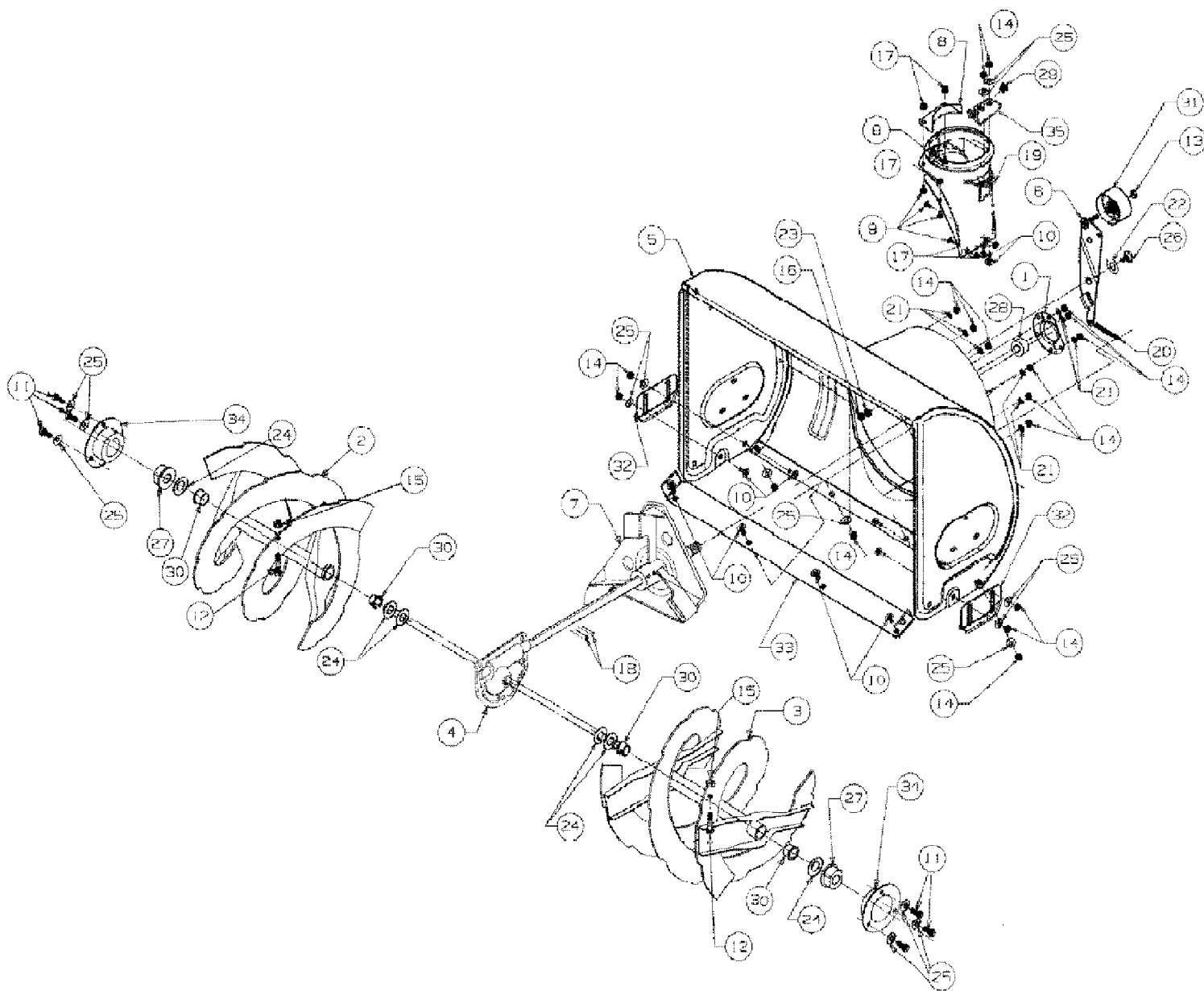
Page 6 of 13

Ref #	Part Number	Qty	S/P/F	Description
1	629-0059	1	S	Harness-Light
2	684-0008A	1	S	Arm-Shift
3	684-0102	1		Panel Ass'y.-Handle w/Tilt
4	684-0036	1	S	Handle-Engagement-R.H.
5	684-0037	1	S	Handle-Engagement-L.H.
6	684-0022	1	S	Crank-Chute (623,633)
	684-0053	1	S	Crank-Chute (653,663)
7	710-0262	1	/P	Bolt-Carriage
8	710-0451	1	/P	Bolt-Carriage
9	710-3008	1	/P	Screw-Hex
10	710-3015	1	/P	Screw-Hex
11	710-0896	1	/P	Screw-Washer Head-Hex
12	710-1003	1	/P	Screw-Hex
13	710-0449	1	S	Bolt-Carriage
15	711-0653	1	/P	Pin-Clevis
16	711-0677	1	S	Ferrule
17	712-0116	1	S	Nut-Hex Lock
18	712-3010	1	S	Nut-Hex
19	712-3027	1	S	Nut-Hex Lock
20	712-0429	1	S	Nut-Hex Lock
21	714-0104	1	S	Pin-Cotter Internal
22	714-0145	1	S	Pin-Cotter For model 623 & 633 only.
23	714-0507	1	S	Pin-Cotter
24	715-0138	1	S	Pin-Roll
25	720-0201A	1	/P	Knob-Chute Crank
26	720-0232	1	S	Knob-Shift
27	720-0284	1	S	Knob-Wing Nut
28	725-1658	1	S	Lamp
29	725-1672	1	S	Housing-Lamp
30	726-0100	1	S	Cap-Push
31	726-0321A	1	S	Clip-Retaining
32	731-0851A	1	/P	Keeper-Chute
33	731-1300A	1	S	Chute-Lower
34	731-1313B	1	S	Guide-Cable
35	731-1320	1	S	Chute-Upper
36	731-1545A	1	S	Panel-Handle
37	732-0145	1	/P	Spring
38	732-0193	1	/P	Spring
39	732-0705	1		Wire-Control
40	732-0746	1		Spring
41	735-0199A	1	S	Bumper
42	736-0105	1	/P	Washer-Bell
43	736-0119	1	S	Washer-Lock
44	736-0185	1	S	Washer-Flat
45	736-0159	1	S	Washer
46	736-0275	1	S	Washer-Bell
47	736-0264	1	S	Washer-Flat
48	736-0271	1	S	Washer-Lock
49	736-0451	1	S	Washer-Saddle
50	736-0506	1	S	Washer
51	736-0509	1		Washer
52	737-0133	1	S	Lubricant
53	741-0475	1	S	Bushing-Plastic For model 623 & 633 only.

31AE653F190 Snow Boss 950 (1998)
Panel Assembly w/Tilt

Page 7 of 13

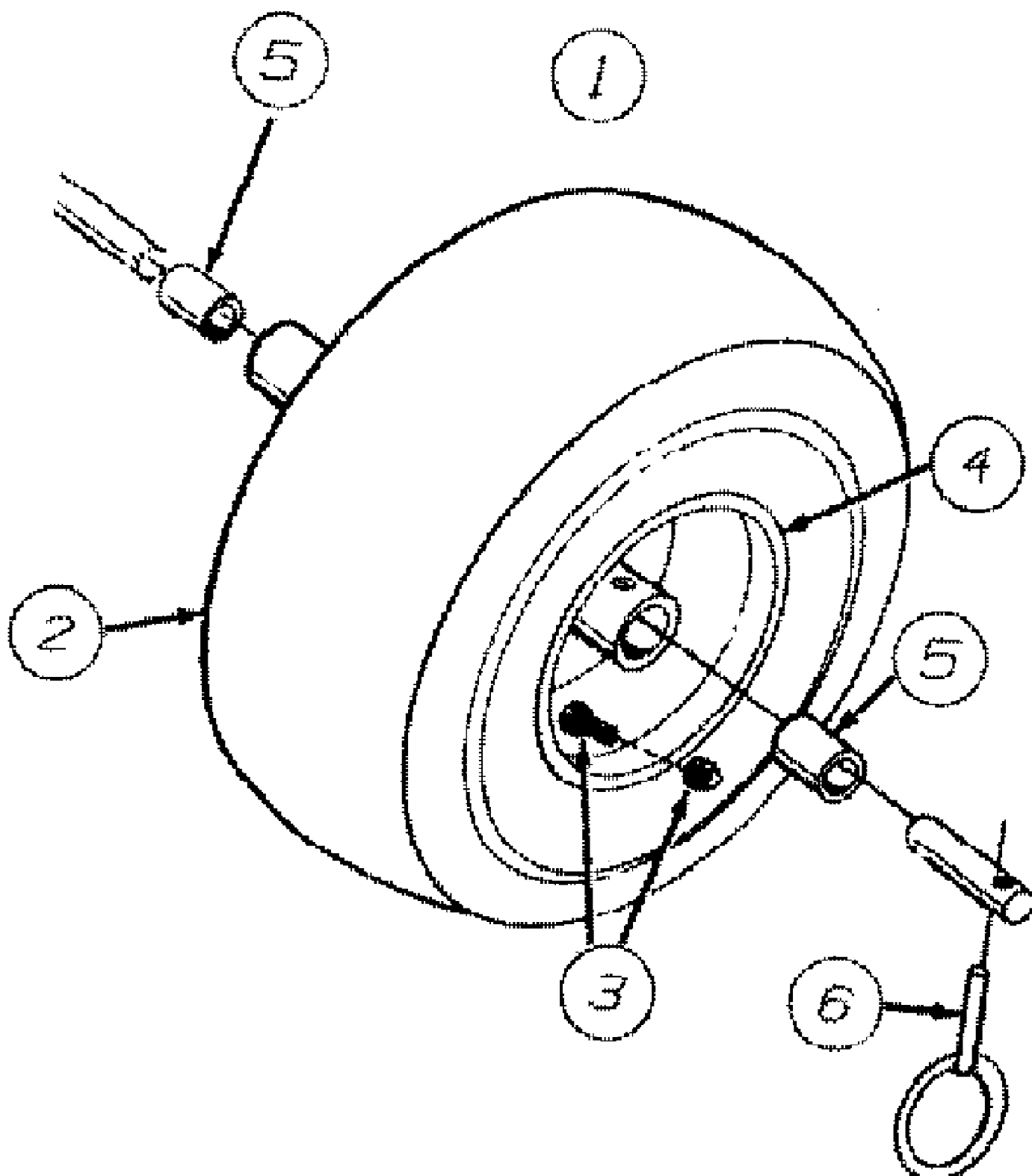
Ref #	Part Number	Qty	S/P/F	Description
54	746-0896	1	S	Cable-Chute Control
55	746-0901	1	S	Cable-Chute Control
56	747-0618	1	S	Crank-Chute For model 623 & 633 only.
57	747-0620A	1	/P	Rod-Shift Upper
58	747-0621	1		Rod-Shift Lower
59	747-0877	1		Rod-Cam
60	748-0362	1		Cam-Handle Lock
61	748-0363	1	S	Pawl-Handle Lock
62	749-0951	1		Handle-Lower
63	749-0954	1	S	Handle-R.H.
64	749-0955	1	S	Handle-L.H.
65	750-0785	1	S	Spacer For model 623 & 633 only.
66	750-0963	1	S	Connector
67	784-0309	1	S	Bracket For model 623 & 633 only.
68	784-5594	1		Bracket-Cable
69	784-5604	1	S	Handle-Chute Tilt
70	784-5619	1	S	Handle-Shift
71	784-5679	1	S	Bracket-Handle Support-L.H.
72	784-5680	1	S	Bracket-Handle Support-R.H.
73	784-5681	1	/P	Bracket-Handle Support-L.H.
74	784-5682	1	S	Bracket-Handle Support-R.H.
75	735-0234	1		Grommet Rubber (623,633)
76	747-0697	1	/P	Eyebolt-Chute (623,633)
77	710-0642	1	/P	Screw-Washer Head-Hex (623,633)
78	736-0329	1	S	Washer-Lock (623,633)
79	736-0463	1	S	Washer-Flat (623,633)



31AE653F190 Snow Boss 950 (1998)
Spiral And Housing Assemblies

Page 9 of 13

Ref #	Part Number	Qty	S/P/F	Description
1	05931	1	S	Housing-Bearing
2	605-5253	1	S	Spiral Assembly-L.H. 22"
	605-5189	1	S	Spiral Assembly-L.H. 24"
	605-5193	1	S	Spiral Assembly-L.H. 26"
	605-5249	1	S	Spiral Assembly-L.H. 30"
3	605-5252	1	S	Spiral Assembly-R.H. 22"
	605-5188	1	S	Spiral Assembly-R.H. 24"
	605-5192	1	S	Spiral Assembly-R.H. 26"
	605-5248	1	S	Spiral Assembly-R.H. 30"
4	618-0152	1	S	Gear Assembly 22"
	618-0120	1	S	Gear Assembly 24"
	618-0121	1	S	Gear Assembly 26"
	618-0160	1	S	Gear Assembly 30"
5	684-0052	1	S	Housing Assembly 22"
	684-0039A	1	S	Housing Assembly 24"
	684-0040A	1	S	Housing Assembly 26"
	684-0055	1		Housing Assembly 30"
6	684-0064	1	S	Arm-Idler Assembly
7	684-0065	1	S	Impeller Assembly
8	705-5226	1		Reinforcement-Chute
9	710-0167	1	/P	Screw-Carriage
10	710-0451	1	/P	Screw-Carriage
11	710-0604	1	S	Screw-Hex
12	710-0890	1	S	Shear Bolt
13	712-0116	1	S	Nut-Hex Lock
14	712-0267	1	S	Nut-Hex
15	712-0429	1	S	Nut-Hex
16	712-0798	1	/P	Nut-Hex
17	712-3027	1	S	Nut-Hex Lock
18	715-0114	1	S	Pin-Spring
19	731-1379	1	S	Adapter-Chute
20	732-0611	1	S	Spring
21	736-0119	1	S	Washer-Lock
22	736-0167	1	S	Washer-Flat
23	736-0169	1	S	Washer-Lock
24	736-0188	1	/P	Washer-Flat
25	736-0242	1	/P	Washer-Bell
26	738-0281	1	S	Screw-Shoulder
27	741-0245	1	S	Bearing-Flange
28	741-0309	1	S	Bearing-Ball
29	741-0475	1	S	Bushing-Plastic
30	741-0493A	1	/P	Bushing-Flange
31	756-0178	1		Idler-Flat
32	784-5580	1		Shoe-Slide
33	784-5576	1	S	Shave Plate 22"
	784-5581A	1	S	Shave Plate 24"
	784-5579A	1	S	Shave Plate 26"
	784-5575	1	S	Shave Plate 30"
34	784-5618	1	S	Housing-Bearing
35	784-5647	1	S	Bracket-Chute Crank

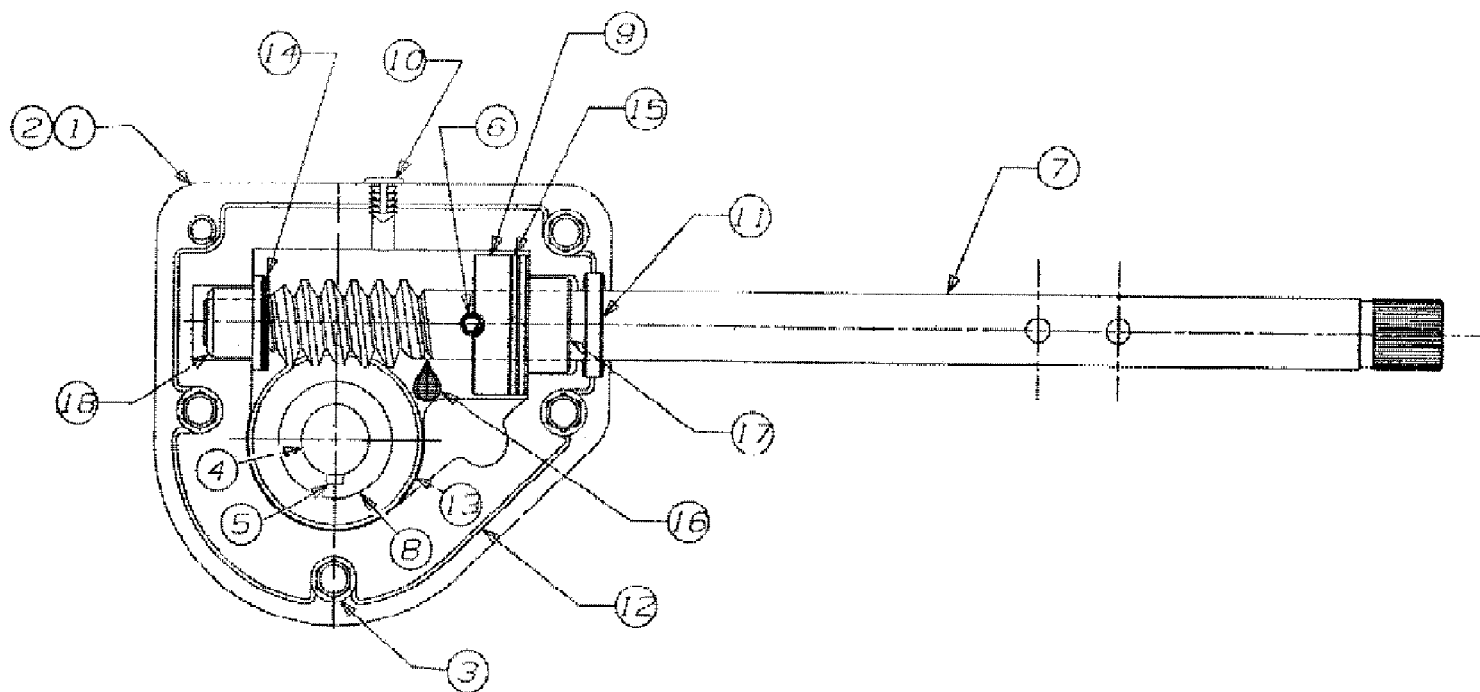


31AE653F190 Snow Boss 950 (1998)
Wheel Assembly

Page 11 of 13

Ref #	Part Number	Qty	S/P/F	Description
1	734-1709	1		Wheel Ass'y. Complete Size 16.5 x 4.8
2	734-1530	1		Tire Only
3	734-0255	1	S	Air Valve
4	734-1708	1	S	Rim Only
5	741-0401	1	S	Sleeve Bearing (2)
6	714-0143	1	S	Klick Pin

31AE653F190 Snow Boss 950 (1998)
Worm Gear And RH/LH Housing



31AE653F190 Snow Boss 950 (1998)
Worm Gear And RH/LH Housing

Page 13 of 13

Ref #	Part Number	Qty	S/P/F	Description
1	618-0123	1	S	Housing-R.H.
2	618-0124	1	S	Housing-L.H.
3	710-0642	1	/P	Screw
4	711-1024	1	S	Axle, Spiral 30" (663)
	711-0909	1	S	Axle, Spiral 26" (653)
	711-0908	1	S	Axle, Spiral 24" (633)
	711-1020	1	S	Axle, Spiral 22" (623)
5	714-0161	1	S	Key, Hi-Pro
6	715-0143	1	S	Pin, Spiral
7	717-0526	1		Worm, Shaft
8	717-0528	1	S	Gear, Worm
9	718-0186	1		Collar, Thrust
10	721-0325	1		Plug
11	721-0327	1		Seal, Oil
12	721-0328	1		Loctite 5699
13	736-0351	1	S	Washer-Flat
14	736-0369	1	S	Washer-Flat
15	736-0445	1	S	Washer-Flat
16	737-0168	1	S	Grease
17	741-0662	1		Bearing Flange
18	741-0663	1		Bearing Flange